

acm 12HA350

General Description and Applications:

The  acmaudio 12HA350 features a molded polypropylene enclosure that is inherently weather resistant. Amplification, mixing, and monitoring for electronic and electro-acoustic instruments.

ACM audio used advanced program techniques to create the most successful and influential professional speaker system. High power, efficiency, lower distortion and great low frequency extension provide an unbelievable performance.



12HA350 can be used for live sound reinforcement, vocals, speech and music playback in entertainment, schools, pub, coffee shop and outdoor venues. Portability is one of the important factors for choice especially.



For permanent suspension or attaching brackets, the 12HA350 also has three M8 inserts on the top and bottom, two on the side, for a total of 5.



acmaudio
Portable Powered Speaker System

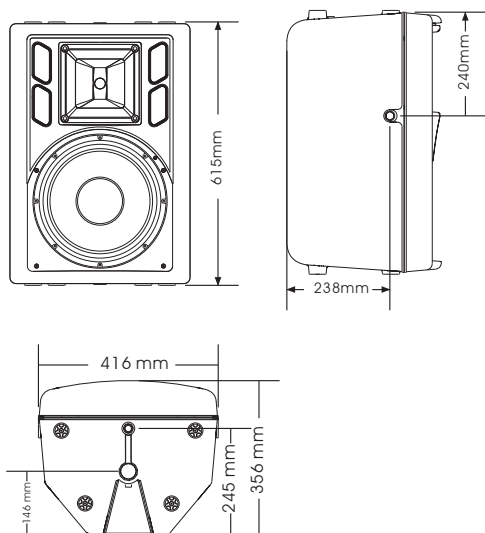


12HA350

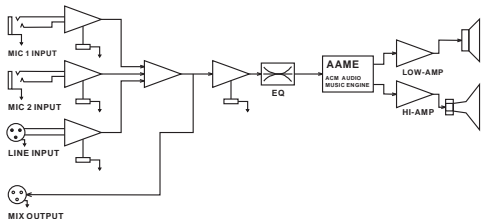
Portable Powered Speaker System



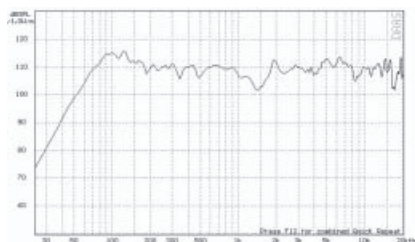
Dimension Drawings



Block Diagram



Frequency Response



Key Features:

High Impact Molded Polypropylene Enclosure

12L300A4 12 LF Transducer

1.75" Voice Coil, 1" Exit Titanium Compression Driver

80° x 60° Coverage Pattern

Smooth Response With High Power Handling Capacity (Long Term/Max), 118dB/124dB

5 Integral Suspension Points

Complete Mounting Solutions

Technical Specification:

Freq. Range(-10dB):	40Hz~20kHz
Freq. Response(-3dB):	50Hz~18kHz
Rec. Hipass Frequency:	30Hz
Max Calculated SPL:	124dB
Horizontal Coverage:	80°
Vertical Coverage:	60°
Amplifier Power LF:	300W
Amplifier Power HF:	50W
LF Transducer:	12L300A4
HF Transducer:	25H44A8
Crossover Frequency:	2.2kHz
Loop/Mix Out:	XLR/M, Balanced
AC Input:	110/220 V, AC, 50/60Hz, 300 Watts
Dim (HxWxD):	615mmx416mmx356mm
Net Weight:	25Kg
Shipping Weight:	28Kg